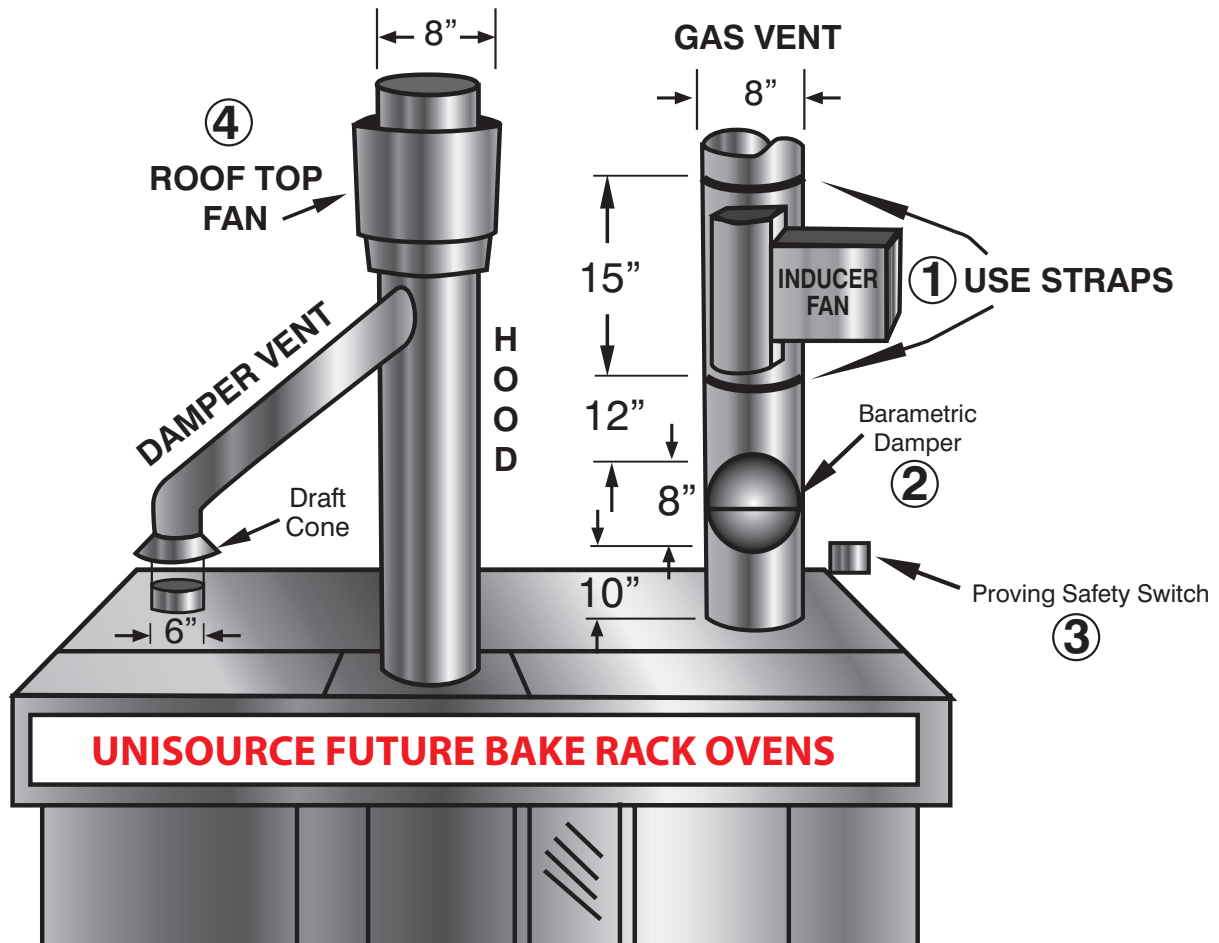


Double Rack Models Venting



Supplied By Contractor:

1. **DRAFT INDUCER:** Model D-3 T. Jernlund
2. **BAROMETRIC DAMPER:** 8" Model RC Field Controls
3. **PROVING SAFETY SWITCH:** Model PS1505 T. Jernlund
4. **ROOF FAN:** Hood Fan Model 4HZ41 Dayton
5. **VENTING:** MUST be installed to local codes.
No 90° angles in venting!
6. **HOOD FLUE:** Single wall to roof (Non Combustion) to local codes
7. **COMBUSTION FLUE:** Single wall up to draft inducer then double wall to roof. Draft inducer is installed before double wall combustion flue pipe.

- 3/4" Gas Connection
- 1/2" Water Connection Inlet (1/2" Drain Connection. Water Filter & Pressure Regulator required (Not Included) to maintain 35 PSI on water line.)
- 6" Damper Flue Connection
- 6" Gas Flue
- 8" Hood Flue Combustion
- Static Line Pressure Require 6"-8" W.C. for Natural Gas
- 6"-8" W.C. for Liquid Propane
- 8" Hood Connection